

LD20238

High Power Surface Mounted Exterior Adjustable Spotlight



Install sheet - Page 1

SPECIFICATION

LED surfaced mounted luminaires are class III for Safety Extra Low Voltage **DC** supply. The product should only be used with a supplied or LightGraphix approved **350mA, 500mA or 700mA** constant current driver.

Suitable for mounting on normally flammable surfaces.

Lamp: **E3, N1 & P1 LED Engine.**

This fitting is **IP67** rated.

Lumen Maintenance: L90B5 at 90,000hrs.

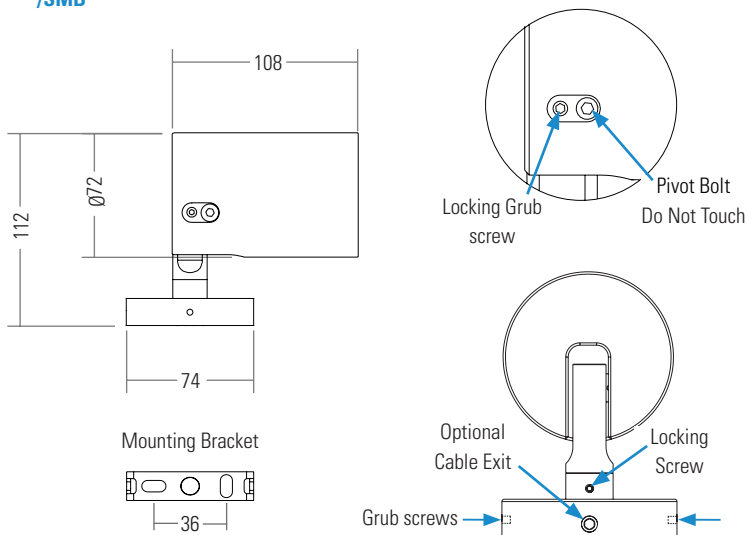
LD20238 - E3			
Product & LED Output Code	Power Output	Max Ambient	Energy Class
LD20238-E3-350	350mA 5W	-20°C to 50°C	D
LD20238-E3-500	500mA 7W		E
LD20238-E3-700	700mA 10W		E

LD20238 - N1			
Product & LED Output Code	Power Output	Max Ambient	Energy Class
LD20238-N1-350	350mA 7W	-20°C to 50°C	G
LD20238-N1-500	500mA 10W		
LD20238-N1-700	700mA 14W		

LD20238 - P1			
Product & LED Output Code	Power Output	Max Ambient	Energy Class
LD20238-P1-350	350mA 14W	-20°C to 45°C	G
LD20238-P1-500	500mA 20W		

DIAGRAM

/SMB



INSTALLATION

/SMB

1. Detach the mounting bracket by partially removing the grub screws (2.5mm allen key), then fix bracket to mounting surface using suitable screws.
2. Drill a Ø9mm hole to feed the cable from fitting to a remote driver. Alternatively, the M8 grub screw can be removed to allow for a side cable exit (5mm allen key).

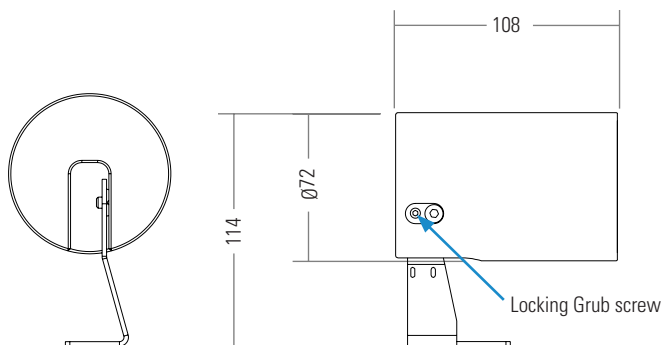
NOTE: Connections in wet environments. Make IP68 connection to stop water travelling up the cables into the fittings! Refer to IP connection sheet for further details.

3. Wire the luminaire to a specified driver ensuring the power is off.
4. Re-attach the /SMB to the mounting bracket and secure with grub screws using a 2.5mm allen key.
5. Loosen locking grub screw on the body and arm before making tilt adjustment by hand. Secure the tilt and rotation in place by re-tightening the locking grub screw.
6. Confirm installation was successful by powering up the fitting. If there is no light output, switch off power immediately and verify wiring.

DO NOT ADJUST OR REMOVE THE PIVOT BOLT.

DIAGRAM

/SAM



INSTALLATION

/SAM

1. Loosen locking grub screw and position the body into its maximum upward tilt by hand. Then mark out fixing holes.

NOTE: The /SAM allows for some limited rotation adjustment to straighten the luminaire.

2. Drill fixing holes in surface. Use wall plugs as needed.
3. Fix to surface using suitable screws.
4. Wire the luminaire to a specified driver ensuring the power is off.

NOTE: Connections in wet environments. Make IP68 connection to stop water travelling up the cables into the fittings! Refer to IP connection sheet for further details.

5. Make tilt adjustment by hand and secure in place by re-tightening the locking grub screw.
6. Confirm installation was successful by powering up the fitting. If there is no light output, switch off power immediately and verify wiring.

DO NOT ADJUST OR REMOVE THE PIVOT BOLT.

LD20238

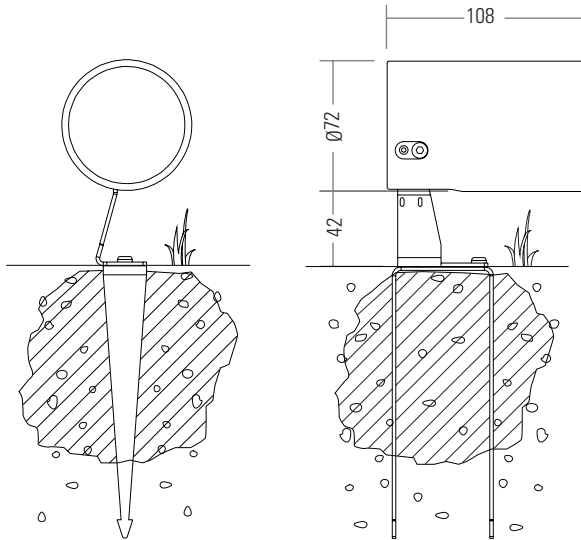
High Power Surface Mounted Exterior Adjustable Spotlight



Install sheet - Page 2

DIAGRAM

/SGS



INSTALLATION

/SGS

1. Push the ground spike into the ground and secure with concrete. Ensure that the fitting stays upright and is secured in place. (Product not intended as a portable luminaire, please secure with concrete to allow for permanent installation).
2. Wire the luminaire to a specified driver ensuring the power is off.

NOTE: Connections in wet environments. Make IP68 connection to stop water travelling up the cables into the fittings! Refer to IP connection sheet for further details.

3. Loosen locking grub screw on the body and arm before making tilt adjustment by hand. Secure the tilt in place by re-tightening the locking grub screw.
4. Confirm installation was successful by powering up the fitting. If there is no light output, switch off power immediately and verify wiring.

DO NOT ADJUST OR REMOVE THE PIVOT BOLT.

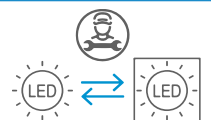
SEE CONSTANT CURRENT WIRING SHEET FOR IN SERIES WIRING DIAGRAM

Do not power up until fitting is wired correctly! Constant current LEDs must be wired in series, polarity is critical. Please refer to specified driver sheet for details on the minimum and maximum number of LEDs per circuit.

CORE COLOUR & POLARITY		
Colour of Cable	Red	Black
Polarity	+	-

END OF LIFE

This fitting contains a replaceable (LED only) light source, that must be replaced by a professional. If the product has come to the end of its life or is in need of repair please contact LightGraphix or your preferred recycling scheme.



IMPORTANT

Make sure that all cables and connections are securely connected before switching on the power. Failing to do this can lead to failure of the LEDs and/or the driver. If the LEDs do not work upon power up, turn off the power source immediately and check the polarity of the wiring. To reduce the risk of strangulation the flexible wiring connected to this luminaire shall be effectively fixed to the wall if the wiring is within arm's reach. Any attempt made to open up and/or modify the luminaire will invalidate the manufacturers warranty. This is inclusive of but not limited to removal of the LightGraphix product label or removal of any parts from the main body of the product including bezels, electrical components and factory fitted fixing methods (unless otherwise stated in these instructions). Luminaire should be wired no further than 30 meters away from a SELV constant current LED driver (based on a 1mm squared cross sectional cable). Forward voltage of luminaire is 18VDC, if wired in series UOUT of LED driver and luminaire circuit should not exceed 60VDC. Terminal block not included. Installation must be performed by a qualified person. For connections made in dry environments 2 x Wago 221-2411 or connections with similar specifications are recommended. For damp or wet environments a connector of the same electrical specification but with a suitable IP rating should be used.

MAINTENANCE

Clean with soft damp cloth
LED: Please contact LightGraphix
O-ring replacement part numbers: N/A

CONNECTION

-Wire Connection Method: Clamp
-No. of Positions: 1Way
-Rated Voltage: 450V
-Rated Current: 32A
-Wire Size (stranded): 18 - 14AWG